



\*Black frame product can be provided upon request.

# SUPERPOWER CS6K-290 | 295 | 300MS

Canadian Solar's new SuperPower modules with Mono-PERC cells significantly improve efficiency and reliability. The innovative technology offers superior low irradiance performance in the morning, in the evening and on cloudy days, increasing the energy output of the module and the overall yield of the solar system.



**linear power output warranty**



**product warranty on materials and workmanship**

### KEY FEATURES



11 % more power than conventional modules



Excellent performance at low irradiance of up to 97.5 %



High PTC rating of up to 91.87 %



Improved energy production due to low temperature coefficients



IP67 junction box for long-term weather endurance



Heavy snow load up to 6000 Pa, wind load up to 4000 Pa \*

### MANAGEMENT SYSTEM CERTIFICATES\*

ISO 9001:2008 / Quality management system  
ISO 14001:2004 / Standards for environmental management system  
OHSAS 18001:2007 / International standards for occupational health & safety

### PRODUCT CERTIFICATES\*

IEC 61215 / IEC 61730: TÜV-Rheinland / VDE / CE / MCS / CEC AU / JET  
UL 1703 / IEC 61215 performance: CEC listed (US) / FSEC (US Florida)  
UL 1703: CSA / IEC 61701 ED2: VDE / IEC 62716: VDE  
UNI 9177 Reaction to Fire: Class 1  
IEC 60068-2-68: SGS  
Take-e-way

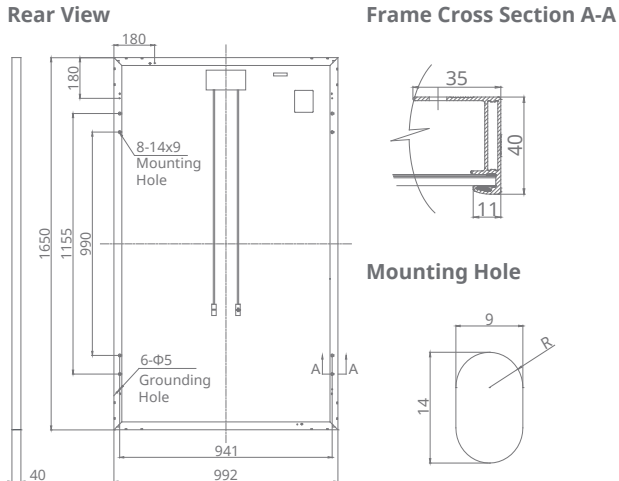


\* As there are different certification requirements in different markets, please contact your local Canadian Solar sales representative for the specific certificates applicable to the products in the region in which the products are to be used.

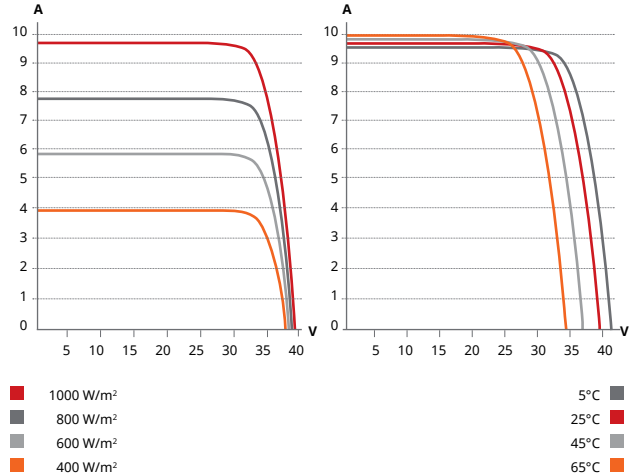
**CANADIAN SOLAR INC.** is committed to providing high quality solar products, solar system solutions and services to customers around the world. As a leading PV project developer and manufacturer of solar modules with over 17 GW deployed around the world since 2001, Canadian Solar Inc. (NASDAQ: CSIQ) is one of the most bankable solar companies worldwide.

\*For detail information, please refer to Installation Manual.

## ENGINEERING DRAWING (mm)



## CS6K-295MS / I-V CURVES



## ELECTRICAL DATA | STC\*

CS6K	290MS	295MS	300MS
Nominal Max. Power (Pmax)	290 W	295 W	300 W
Opt. Operating Voltage (Vmp)	32.1 V	32.3 V	32.5 V
Opt. Operating Current (Imp)	9.05 A	9.14 A	9.24 A
Open Circuit Voltage (Voc)	39.3 V	39.5 V	39.7 V
Short Circuit Current (Isc)	9.67 A	9.75 A	9.83 A
Module Efficiency	17.72 %	18.02 %	18.33 %
Operating Temperature	-40°C ~ +85°C		
Max. System Voltage	1000 V (IEC) or 1000 V (UL)		
Module Fire Performance	TYPE 1 (UL 1703) or CLASS C (IEC 61730)		
Max. Series Fuse Rating	15 A		
Application Classification	Class A		
Power Tolerance	0 ~ + 5 W		

\* Under Standard Test Conditions (STC) of irradiance of 1000 W/m², spectrum AM 1.5 and cell temperature of 25°C.

## ELECTRICAL DATA | NOCT\*

CS6K	290MS	295MS	300MS
Nominal Max. Power (Pmax)	210 W	213 W	216 W
Opt. Operating Voltage (Vmp)	29.0 V	29.2 V	29.4 V
Opt. Operating Current (Imp)	7.25 A	7.30 A	7.35 A
Open Circuit Voltage (Voc)	36.2 V	36.4 V	36.6 V
Short Circuit Current (Isc)	7.74 A	7.83 A	7.92 A

\* Under Nominal Operating Cell Temperature (NOCT), irradiance of 800 W/m², spectrum AM 1.5, ambient temperature 20°C, wind speed 1 m/s.

## PERFORMANCE AT LOW IRRADIANCE

Excellent performance at low irradiance, with an average relative efficiency of 97.5 % from irradiances, between 1000 W/m² and 200 W/m² (AM 1.5, 25°C).

The specification and key features described in this datasheet may deviate slightly and are not guaranteed. Due to on-going innovation, research and product enhancement, Canadian Solar Inc. reserves the right to make any adjustment to the information described herein at any time without notice. Please always obtain the most recent version of the datasheet which shall be duly incorporated into the binding contract made by the parties governing all transactions related to the purchase and sale of the products described herein.

Caution: For professional use only. The installation and handling of PV modules requires professional skills and should only be performed by qualified professionals. Please read the safety and installation instructions before using the modules.

## MECHANICAL DATA

Specification	Data
Cell Type	Mono-crystalline, 6 inch
Cell Arrangement	60 (6×10)
Dimensions	1650×992×40 mm (65.0×39.1×1.57 in)
Weight	18.2 kg (40.1 lbs)
Front Cover	3.2 mm tempered glass
Frame Material	Anodized aluminium alloy
J-Box	IP67, 3 diodes
Cable	4 mm² (IEC) or 4 mm² & 12 AWG 1000 V (UL), 1000 mm (39.4 in)
Connector	T4 series or PV2 series
Per Pallet	26 pieces, 520 kg (1146.4 lbs)
Per container (40' HQ)	728 pieces

## TEMPERATURE CHARACTERISTICS

Specification	Data
Temperature Coefficient (Pmax)	-0.39 % / °C
Temperature Coefficient (Voc)	-0.30 % / °C
Temperature Coefficient (Isc)	0.053 % / °C
Nominal Operating Cell Temperature	45±2 °C

## PARTNER SECTION

